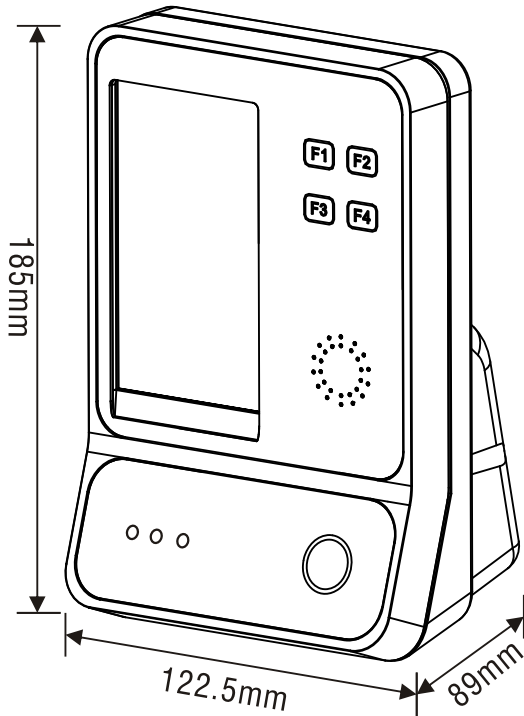


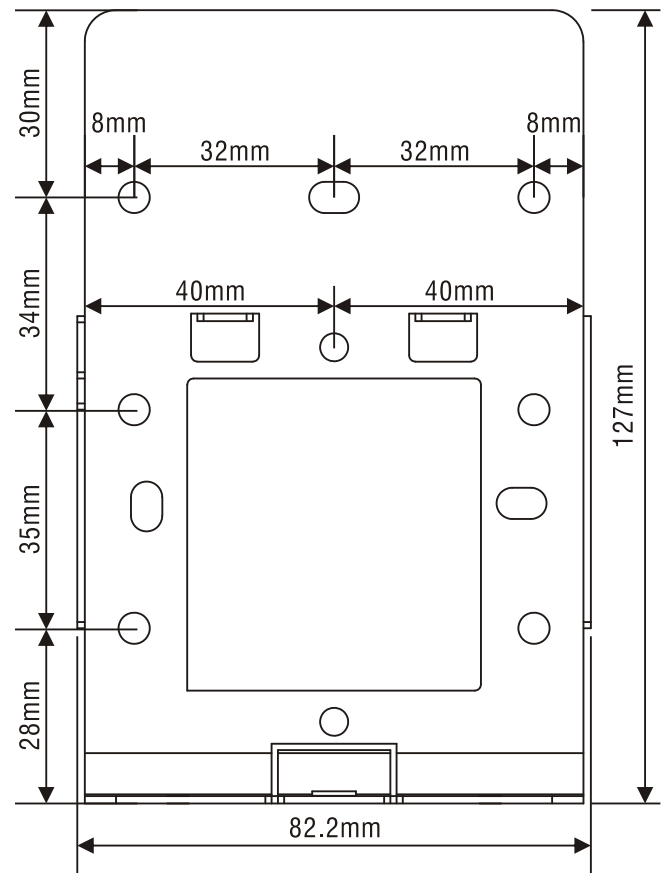
### A. Package Content

Controller x 1, wall hanger x 1, user manual x 1, screwdriver x 1, kit pack x 1

Kit pack : screw x 4, screw anchors x 4, diode (1N4004) x 1, 4 pin cable x 1, 8 pin cable x 1, 9 pin cable x 1



### B. Wall-Hanger Dimension



### C. Specification

\* Dimension : 122.5 x 185 x 89(mm)

\* Power : DC 9 ~ 24 V/ 1.5A

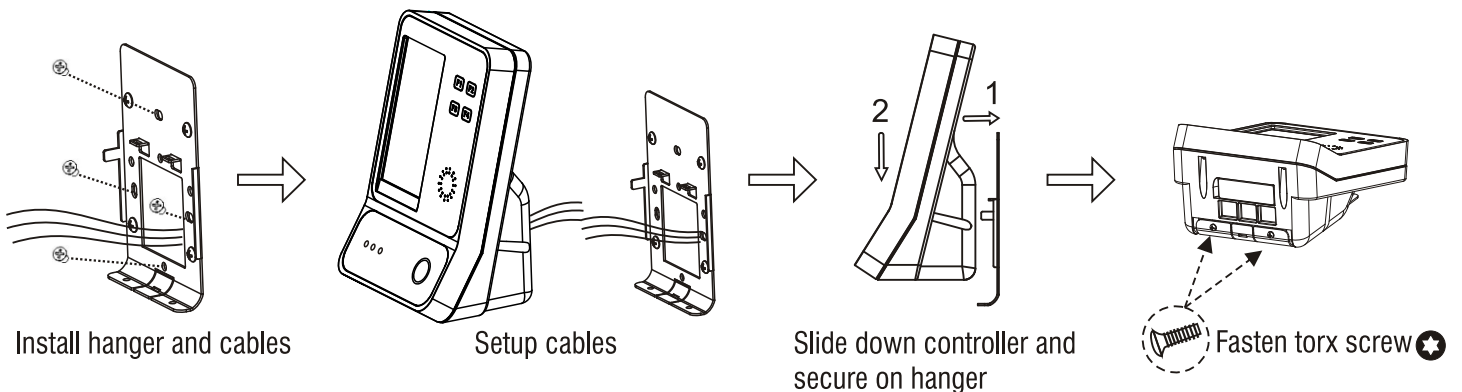
\* Wiegand communication : Max to 100 meters

\* RS485 communication : Max to 1000 meters

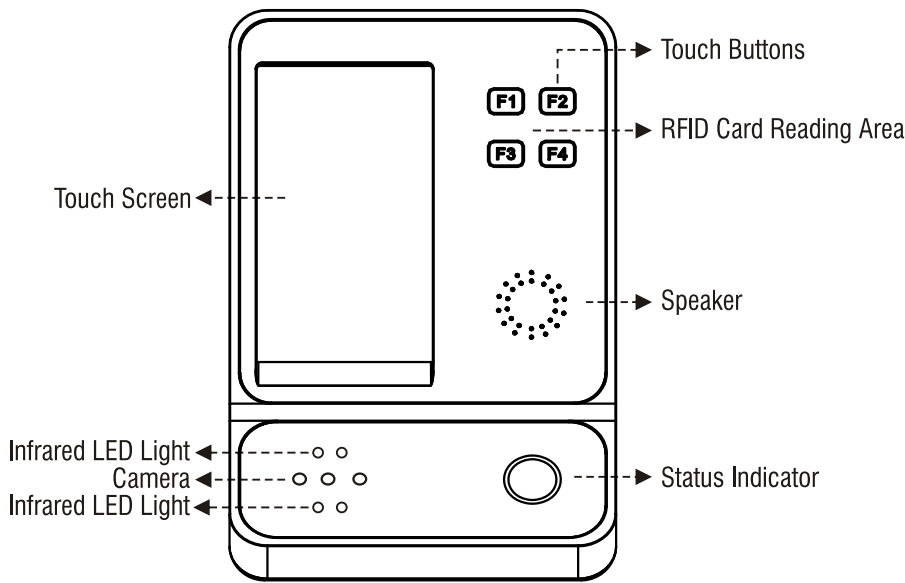
\* Face recognition distance : 50 ~ 100 cm

\* Recommend installation height 115 ~ 125 cm

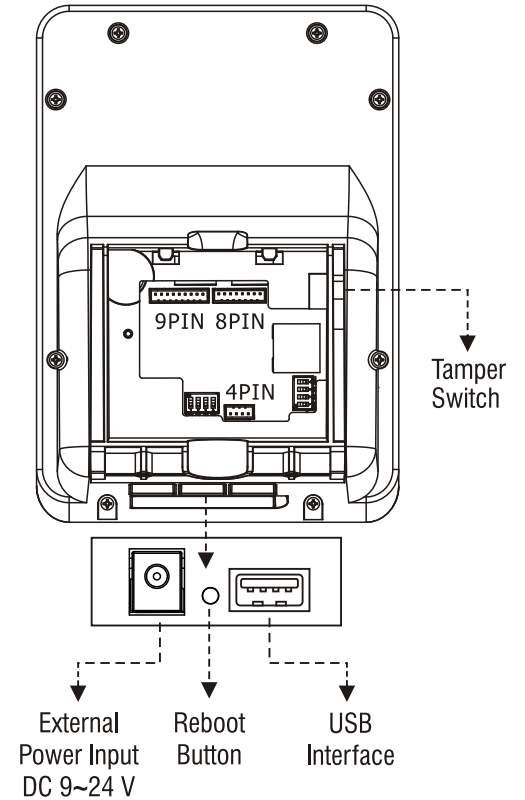
### D. Installation Instructions



## E. Terminal Front Description

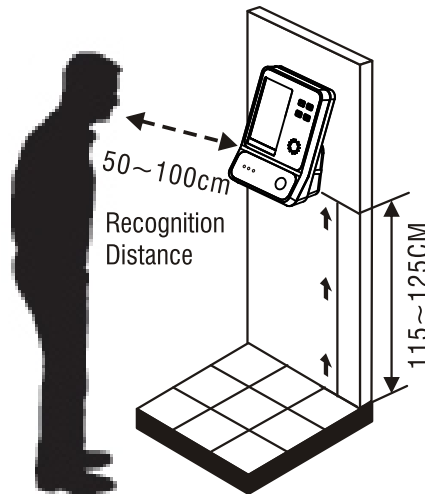


## Terminal Back Description

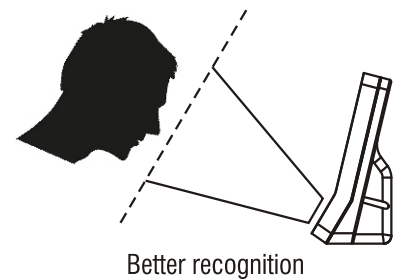


## F. Installation

Recommend installation height	
Ground to bottom of the device (CM)	Users Height (CM)
105	153~190
107	155~195
109	157~200
111	159~205
113	161~210
115	163~215



## G. Registration Instructions



Recognition distance is 50~100 (cm)

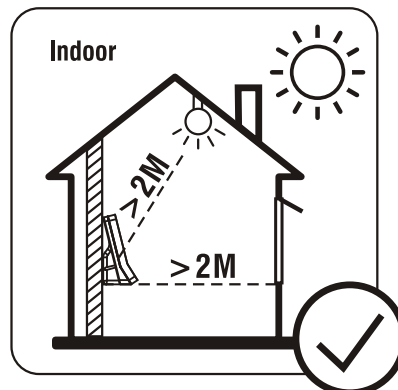
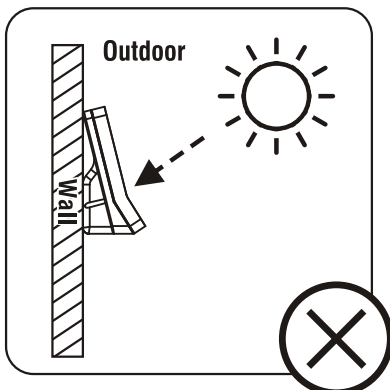
For shorter person minimum requirement is having chin align to the lower edge of the display frame

Please refer to above chart for best installation of device for user

Please bow your head slightly when registering look at the camera, don't

look at the screen

## H. Installation Environment

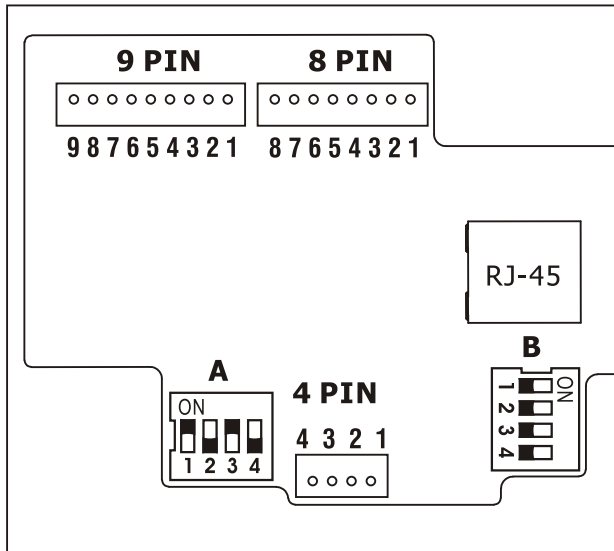


Please avoid directly sunshine and keep at least 2 meters away from lights

# I. Cable Description

No.	Color	Function	Description
1	YELLOW	DOOR-NC	Door Lock
2	WHITE	DOOR-NO	
3	GREEN	DOOR-COM	
4	VIOLET	EXIT	Exit Button
5	BLUE	SENSOR	Door Sensor
6	PINK	FIRE	Fire Alarm Input
7	BLACK	GND	GND
8	GRAY / BLUE	WG OUT 0	WG Output
9	ORANGE / BLACK	WG OUT 1	

No.	Color	Function	Description
1	YELLOW / BLACK	ALARM-NC	Alarm relay output Bell relay output
2	WHITE / BLACK	ALARM-NO	
3	GREEN / BLACK	ALARM-COM	WG Input Connect WG Reader
4	RED / WHITE	WG IN 0	
5	BLACK / WHITE	WG IN 1	GND
6	BLACK	GND	
7	ORANGE	LED	Control WG Reader LED/ Buzzer Action
8	PINK / BLACK	BUZZER	

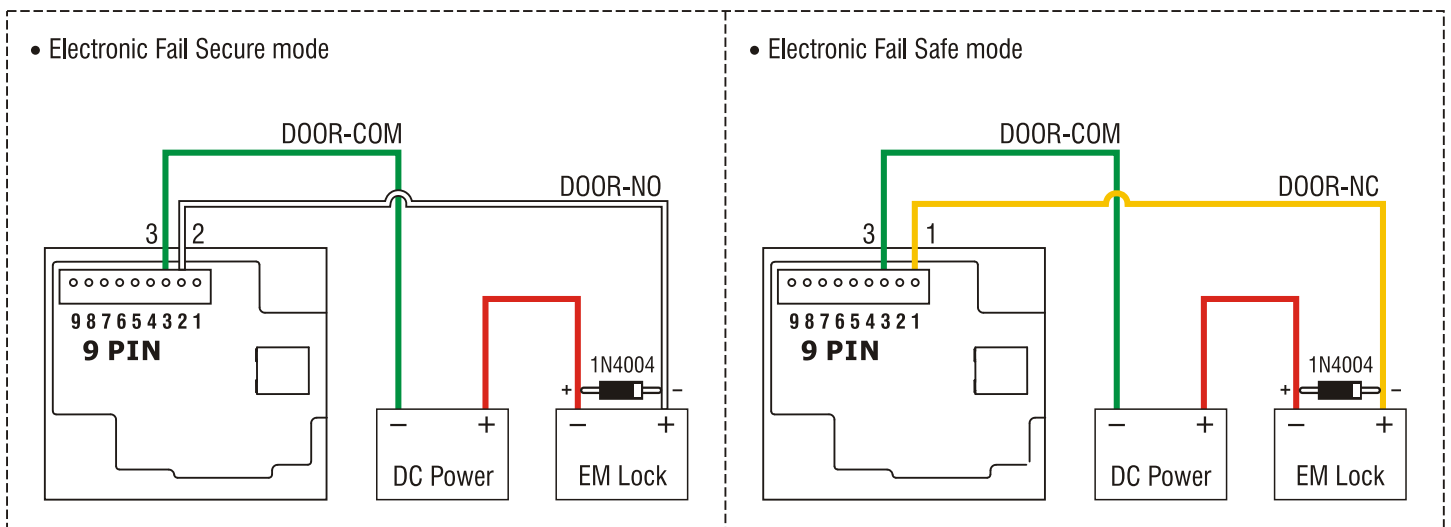


No.	Color	Function	Description
1	GRAY	RS485-	For Relay Box BF-50 or CSS-A10/ A11
2	BROWN	RS485+	
3	RED	VIN+	DC 9~24V(1.5A)
4	BLACK	GND	

A. WG Setting Description (input and output select one only)	
WG Input (Default Setting)	
WG Output Web setting also needs to be changed (At communication setup page)	

B. External BF-50/ CSS-A10/ A11 setting instructions	
External BF-50 (Default Setting)	
External CSS-A10/ A11	

## Door lock relay wiring instructions



# J. Cable Diagram

